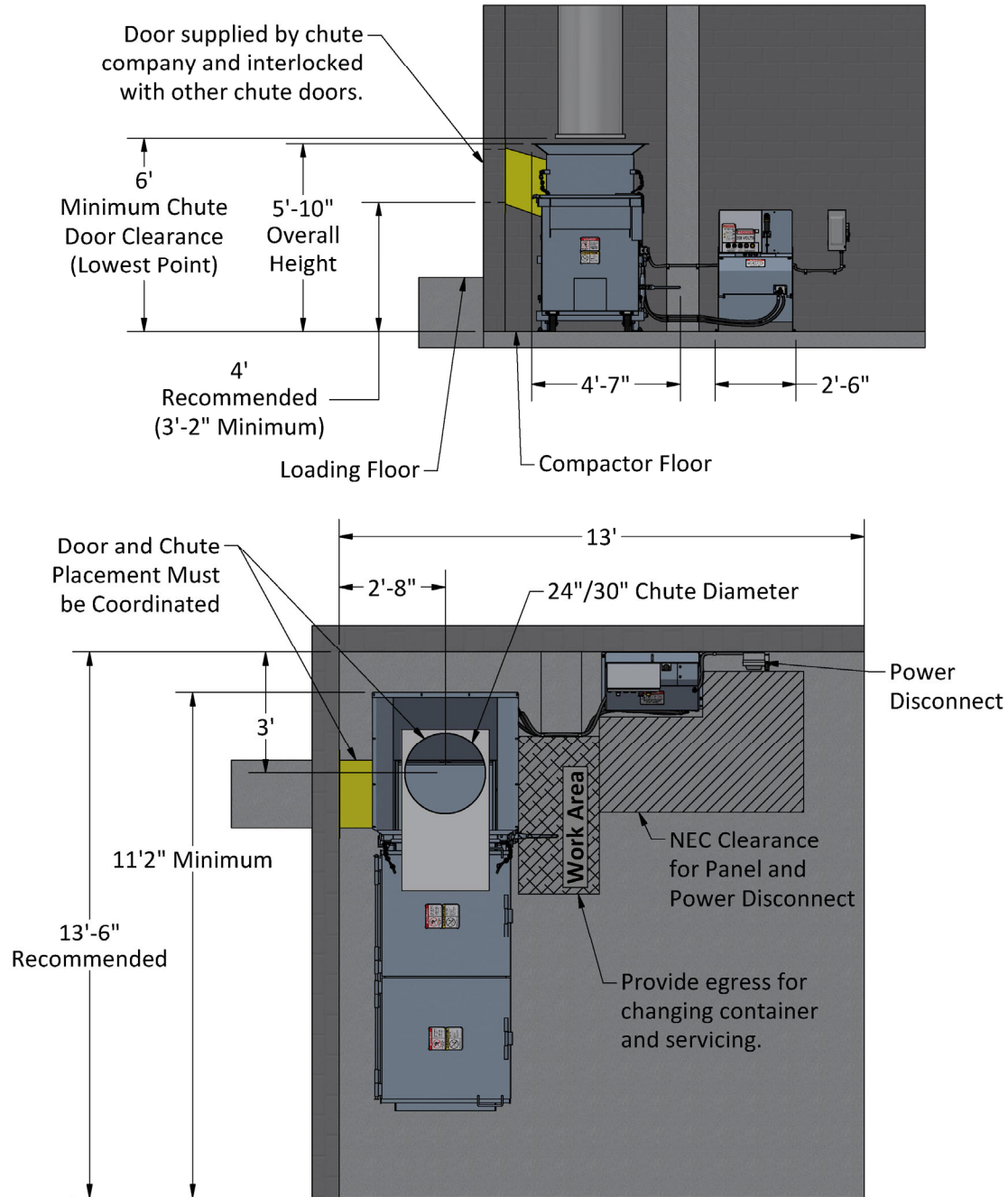


PX50 Apartment Compactor

2/6/2024

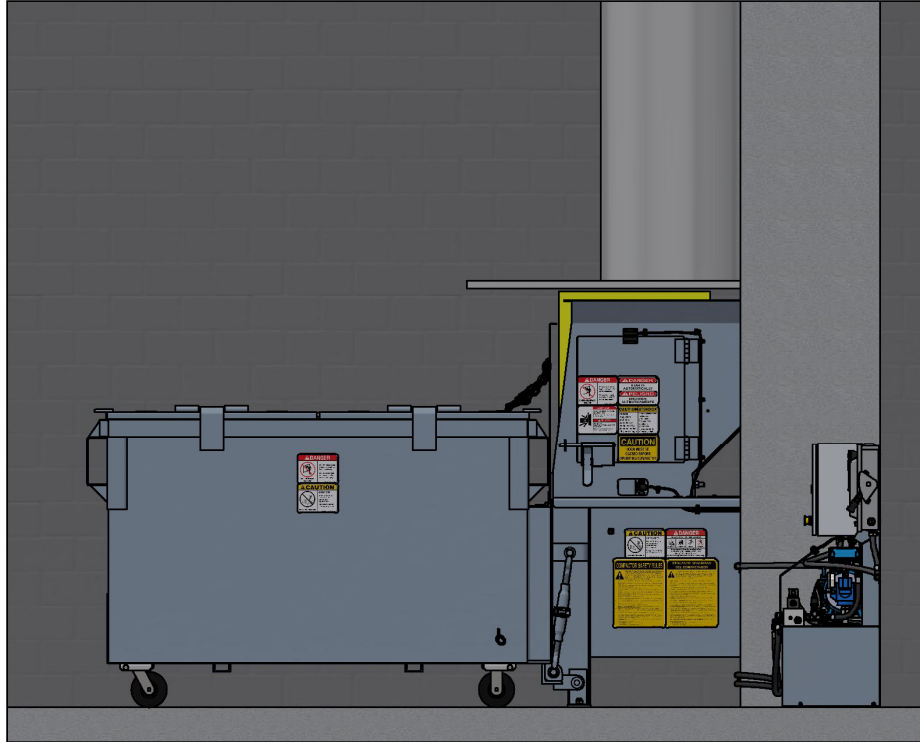
Side Access, Side Door Thru Wall, Remote Power Unit Site Spacing and Slab Requirements



PSI Waste Equipment Services, Inc.
31130 Industry Drive BLDG A
Tavares, FL 32778
352-742-4774

www.psiwaste.com equipment@psiwaste.com

Spacing Requirements (continued)



Slab Requirements

