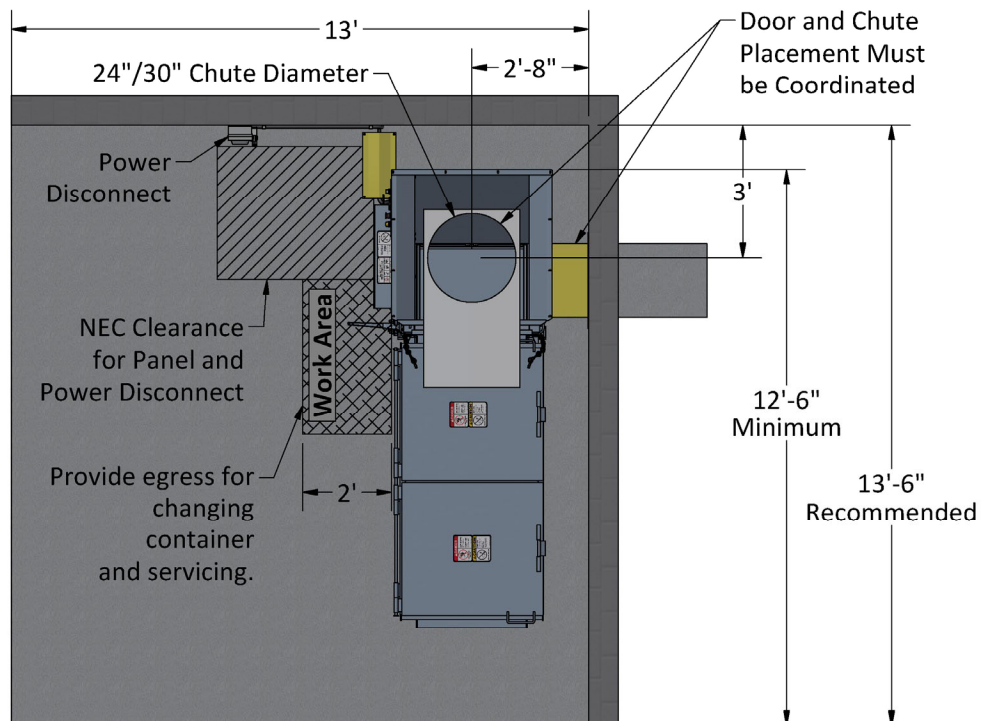
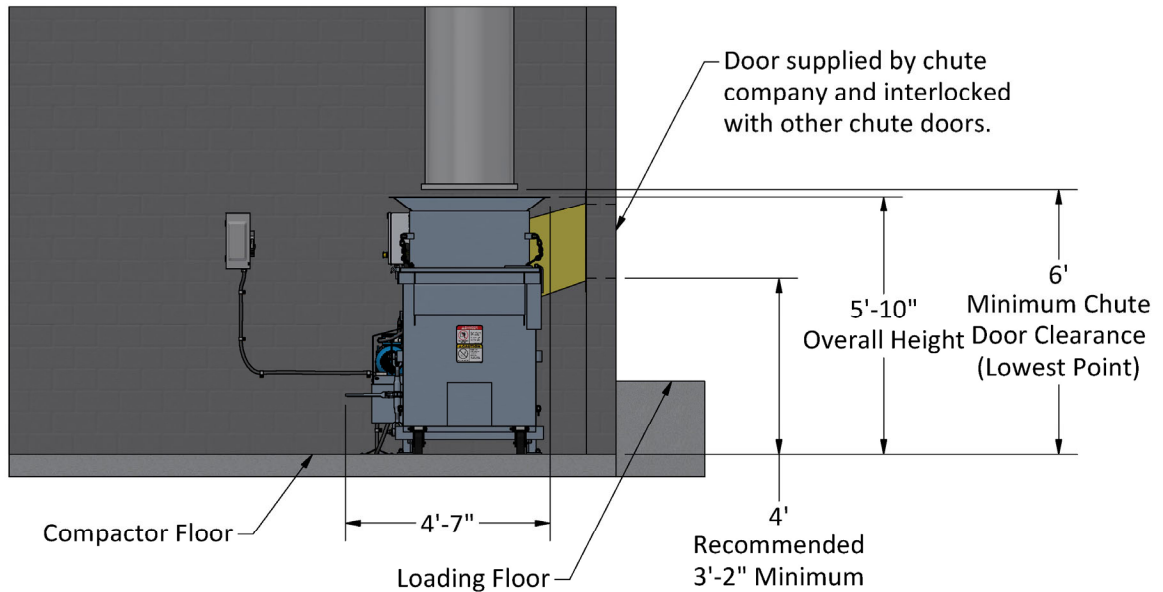


# PX50 Apartment Compactor

2/8/2024

## Side Access, Side Door Thru Wall, Integral Power Unit

### Site Spacing and Slab Requirements

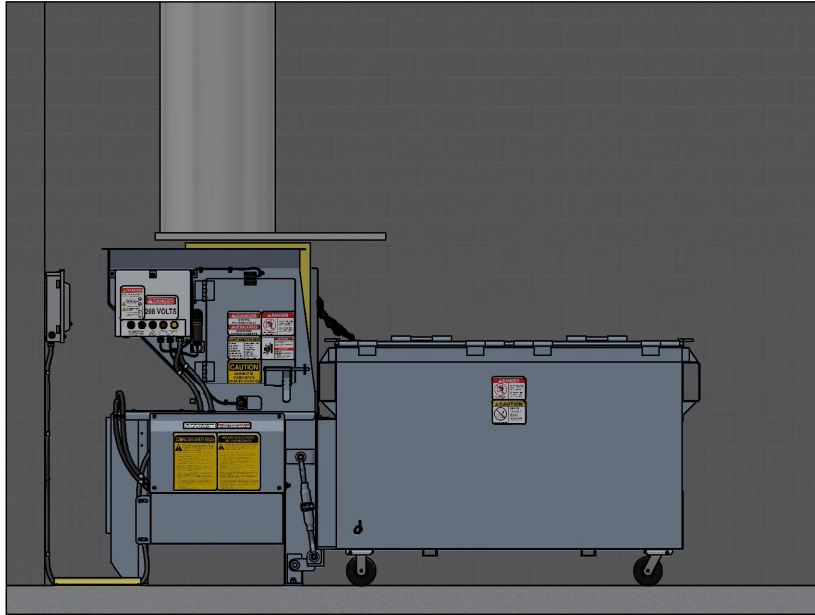


PSI Waste Equipment Services, Inc.  
31130 Industry Drive BLDG A  
Tavares, FL 32778  
352-742-4774

[www.psiwaste.com](http://www.psiwaste.com) [equipment@psiwaste.com](mailto:equipment@psiwaste.com)

## Spacing Requirements (continued)

---



## Slab Requirements

---

