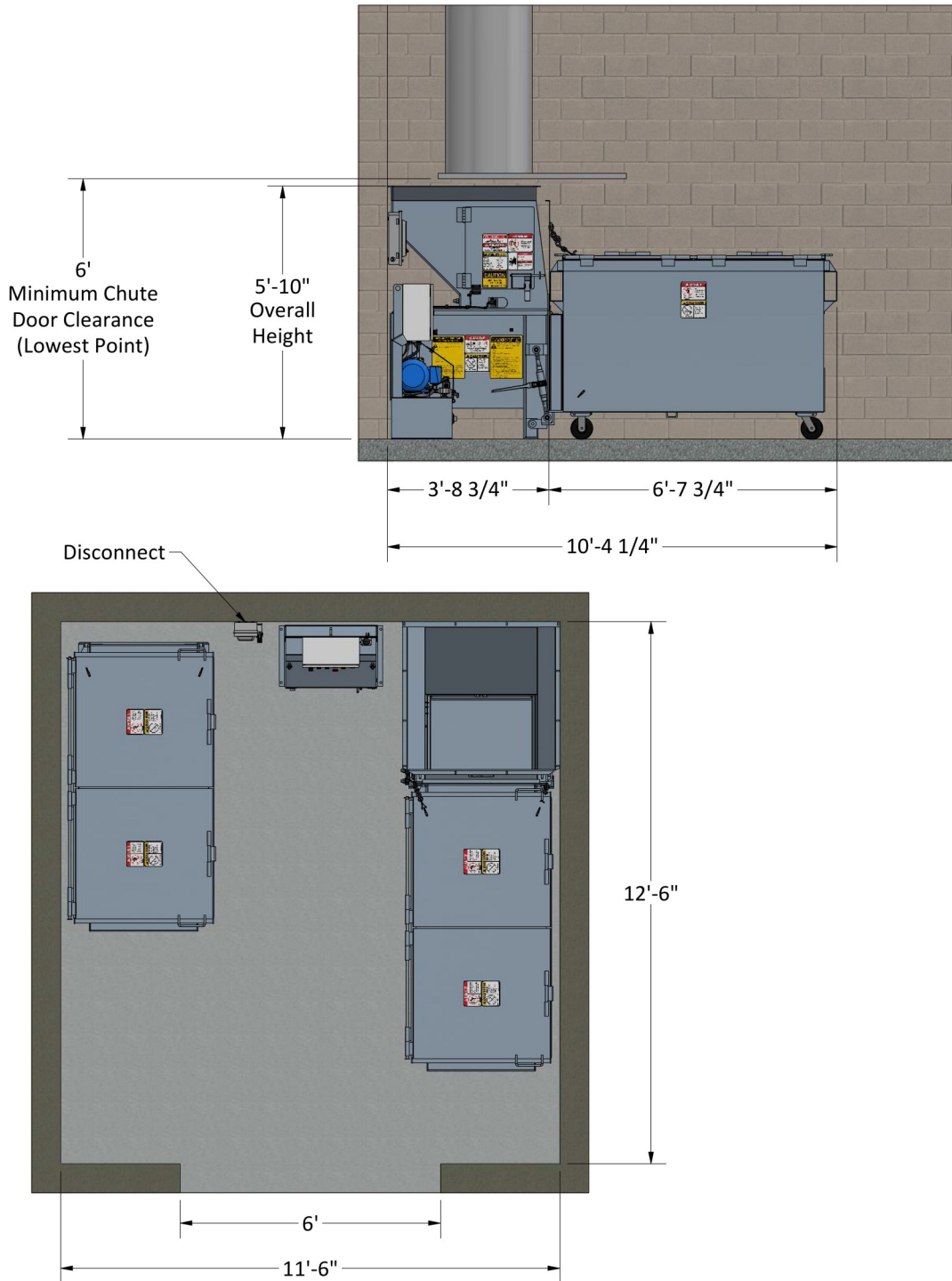


# PX50 Apartment Compactor

6/1/2020

v. 1

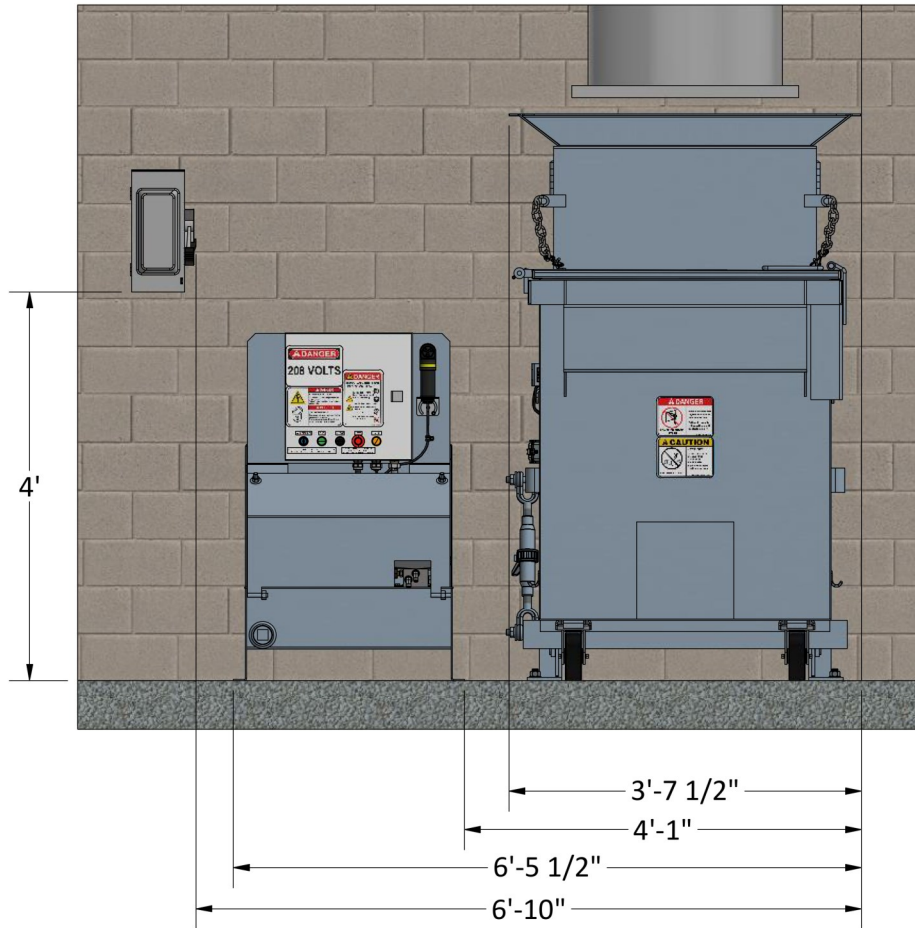
## Site Spacing and Slab Requirements



PSI Waste Equipment Services, Inc.  
31130 Industry Drive BLDG A  
Tavares, FL 32778  
352-742-4774

[www.psiwaste.com](http://www.psiwaste.com) [equipment@psiwaste.com](mailto:equipment@psiwaste.com)

## Spacing Requirements (continued)



## Slab Requirements

