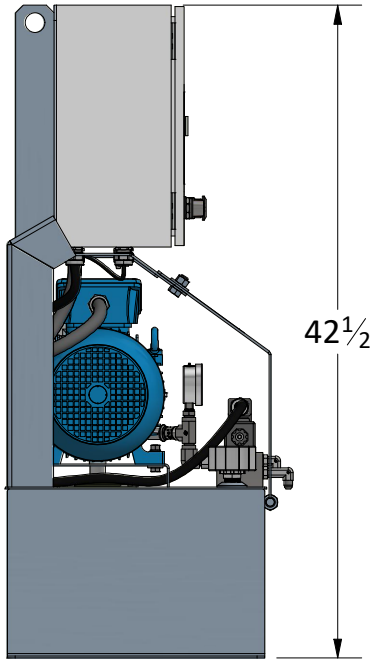
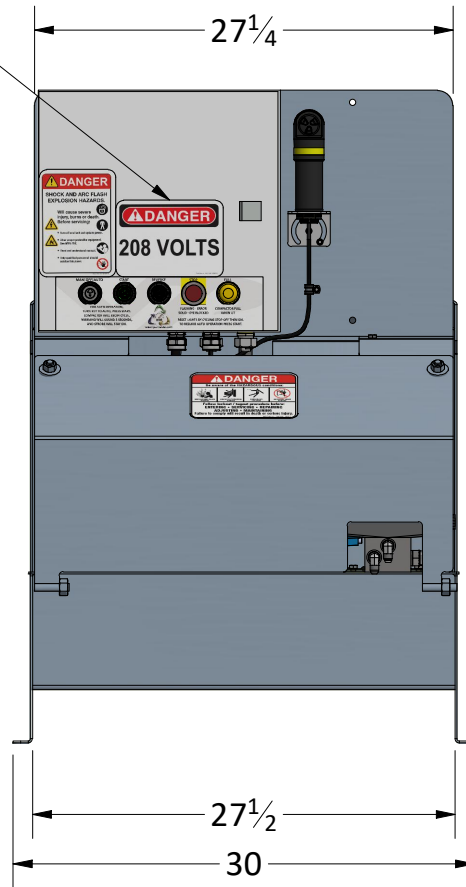


Use appropriate decal based on wiring configuration.



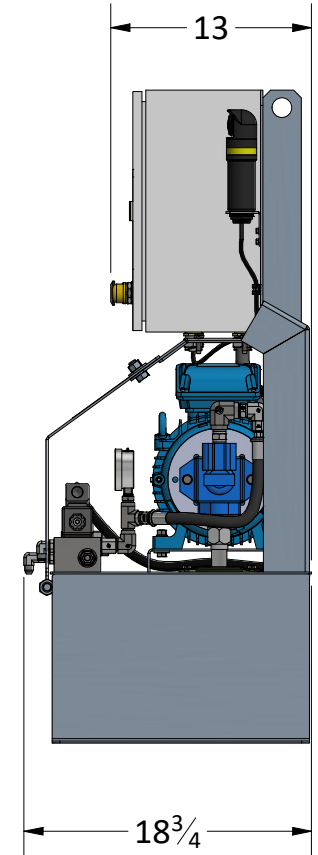
42¹/₂



27¹/₄

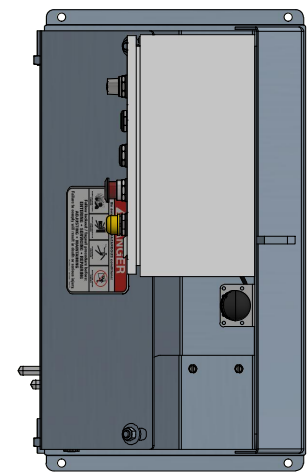
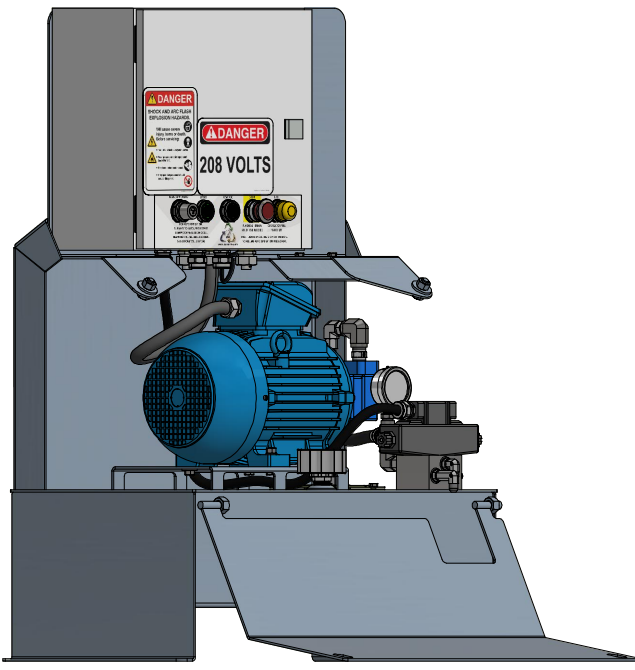
27¹/₂

30



13

18³/₄



PU53A, Standard Power Unit

