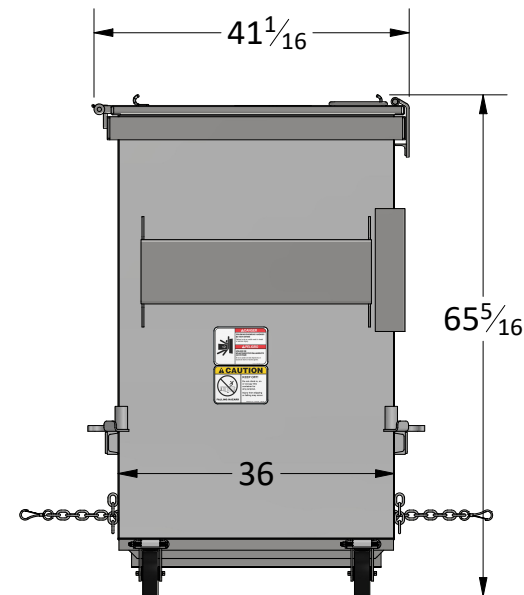
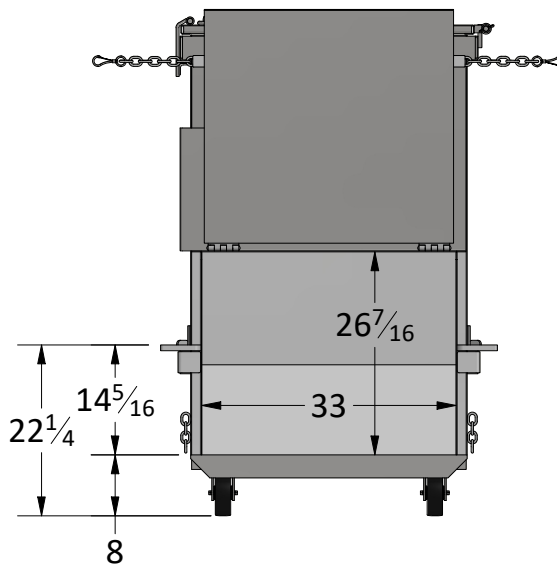
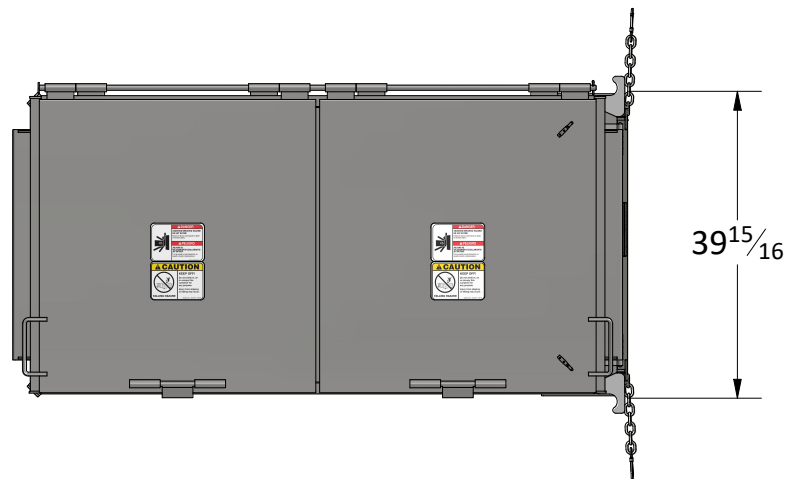


3 1/2

8

DETAIL FP
SCALE 0.08 : 1



DRAWN CB	12/21/2022
COMPLIES ANSI Z245.60 - 2008	
MODEL REVISION A.D	DWG REVISION A.D
Model PRC3T	CUBIC YARDS 3 CY
COMPATIBLE FORK HT CTR:	42 1/4"
COMPATIBLE FORK WD CTR:	75 1/2"
COMPATIBLE FORK LG:	40"

NOTE
Supports Standard,
Double Ratchet, and
Chain Latch. Can be
converted to drop
hook.

PSI Waste
Equipment
Services, Inc
www.psiwaste.com



TITLE
PRC3, Tall, Universal Latches

DWG
800241

WEIGHT 995.64 lbs (Approximate)

SHEET 1 OF 14

SCALE .04 SIZE A