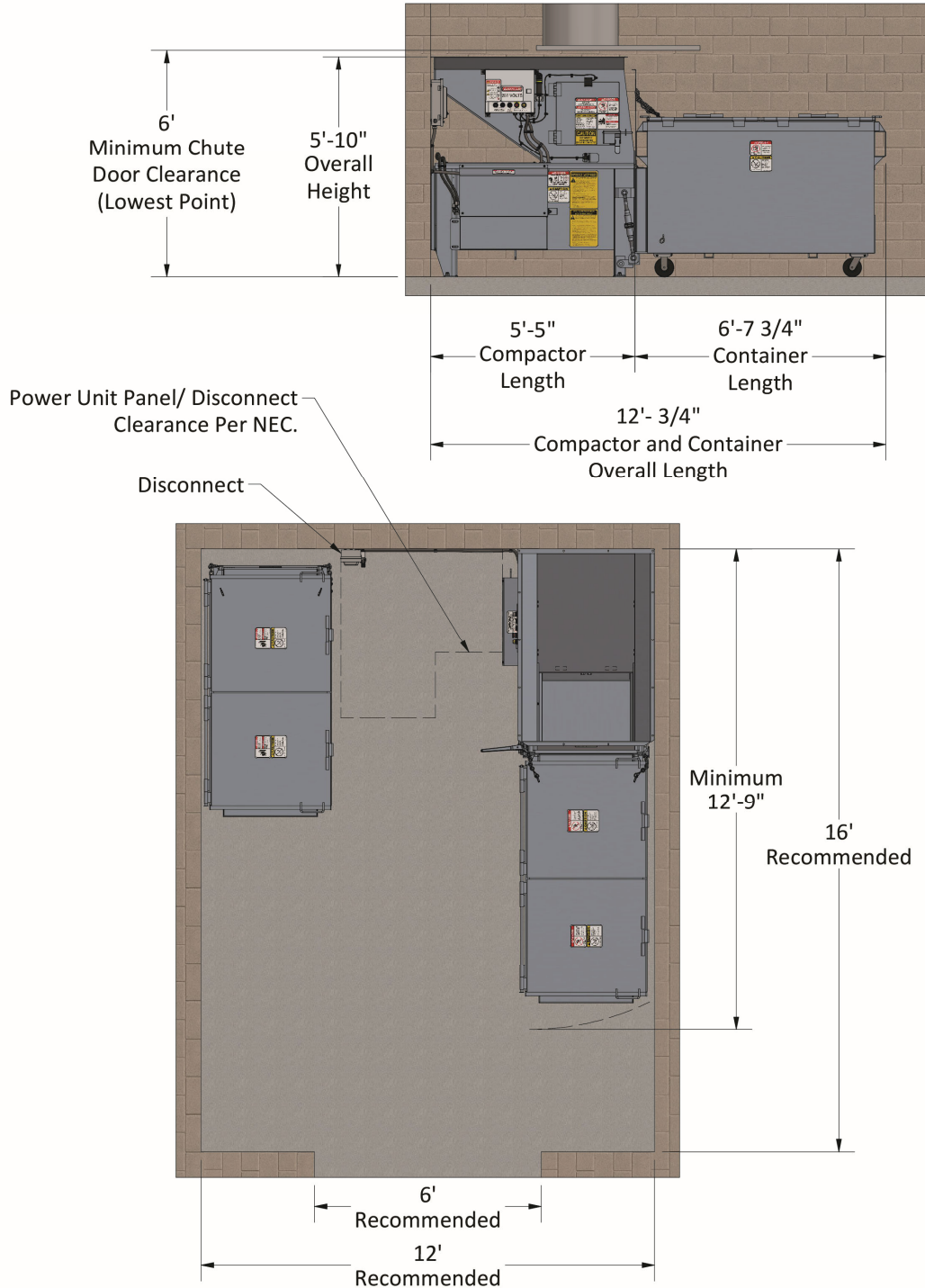
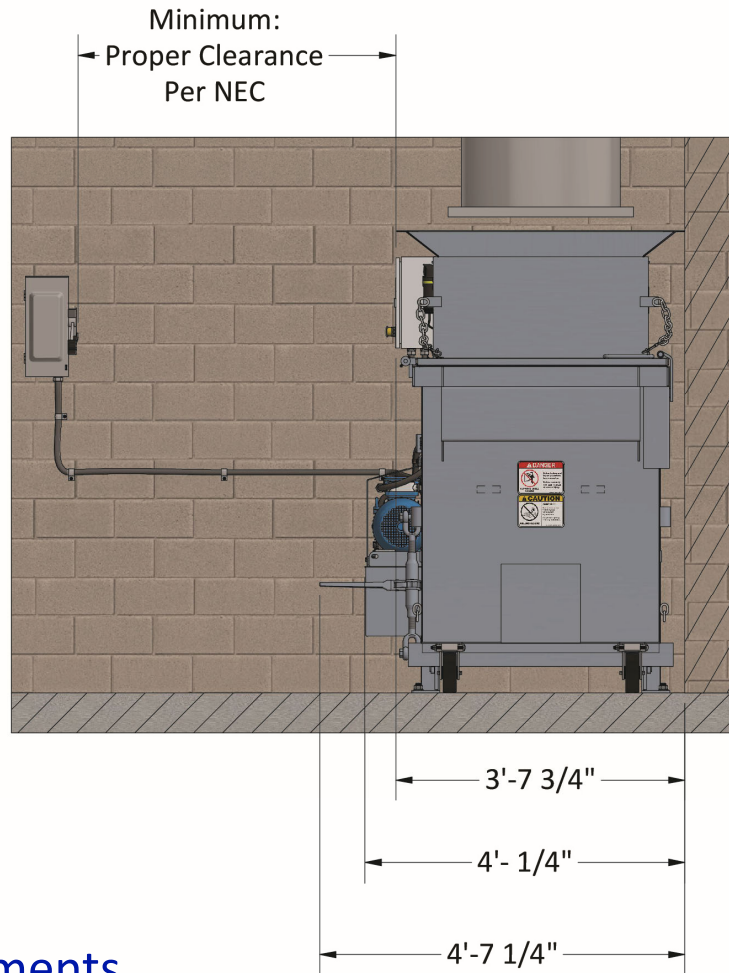


Side Access, Integral Power Unit Site Spacing and Slab Requirements



Spacing Requirements (continued)



Slab Requirements

