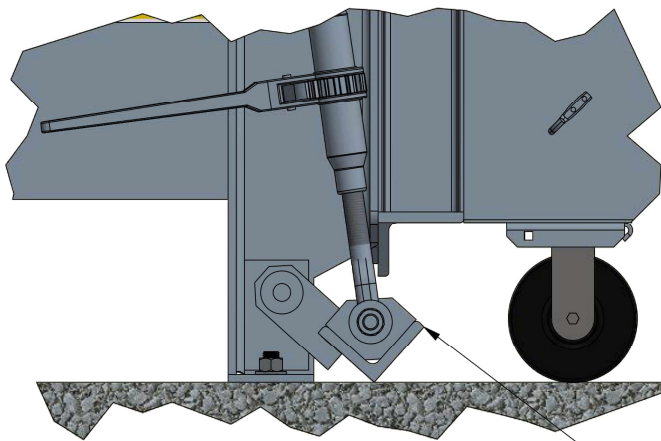


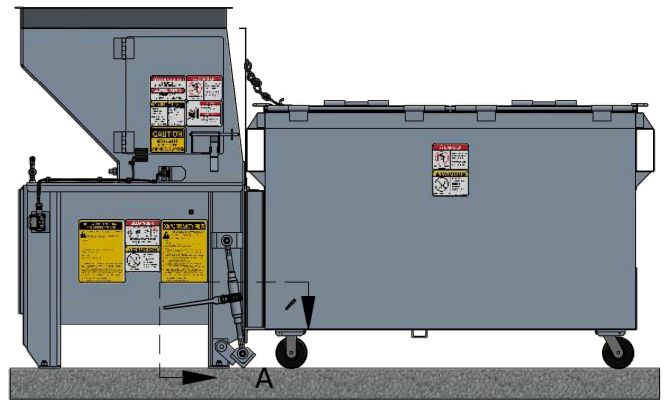
# Changing Containers

Before unhooking container, make sure ram is in rear position. Press the E-Stop button and turn the key switch to the Off position.

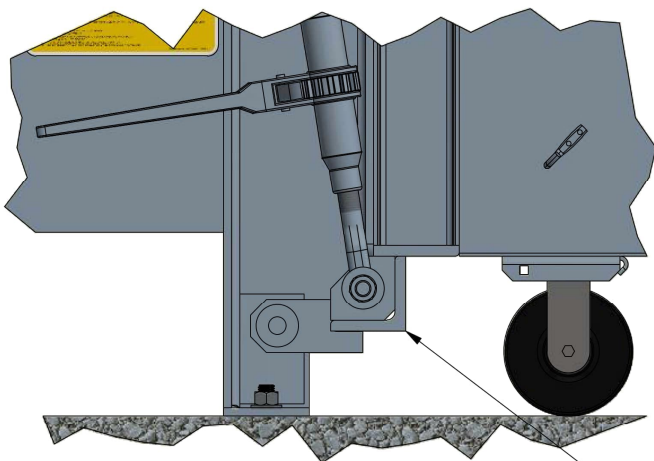
- Unlatch container as shown. Remove container and place in staging area.
- Roll new container up to compactor. Latch as shown.
- Follow instructions on the next pages to operate compactor.



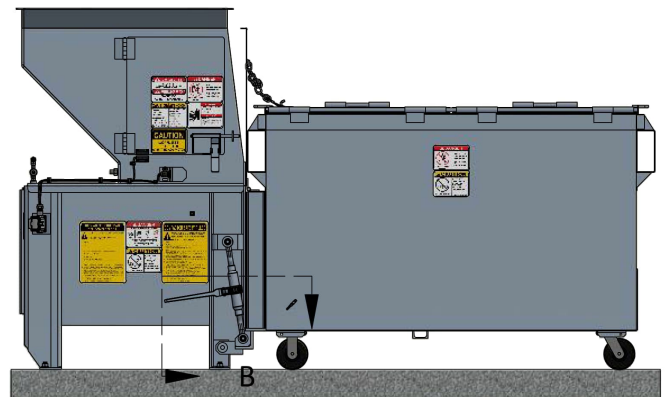
DETAIL A  
OPEN



Ratchet open to allow removal or mating of container.



DETAIL B  
CLOSED



Ratchet closed until compactor and container are fully mated.  
DO NOT OVERTIGHTEN